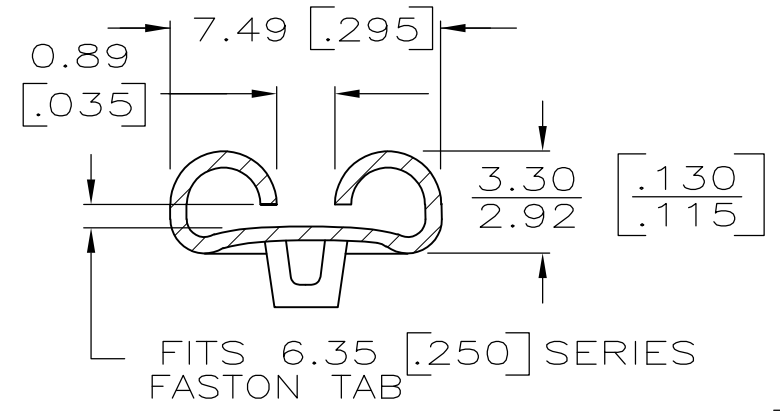
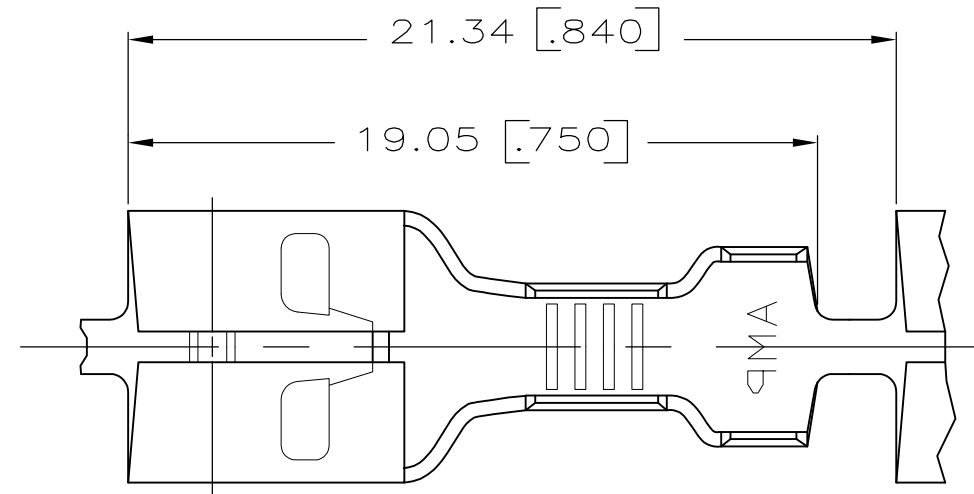
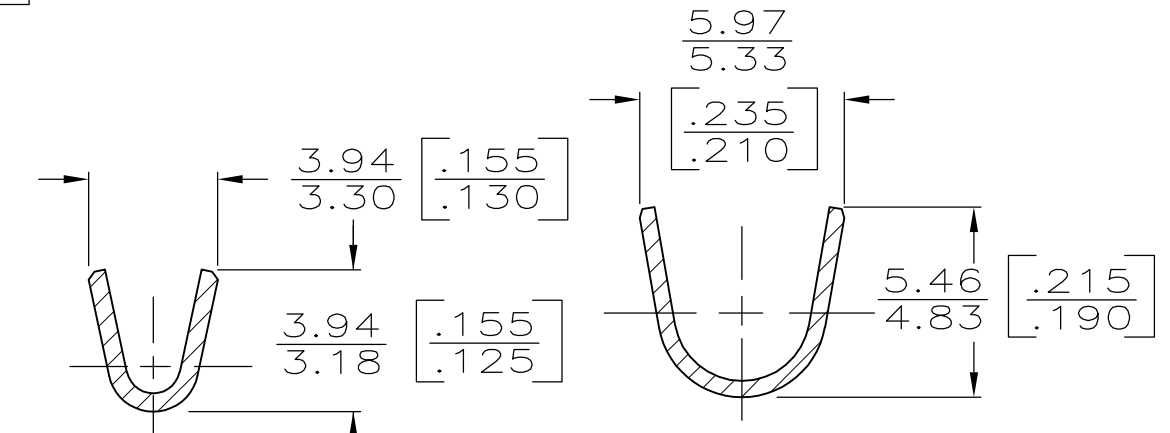


LOC	DIST	REVISIONS					
AF	50	P	LTR	DESCRIPTION	DATE	OWN	APVD
		AM1		REVISED PER ECR-07-006847	23APR07	HMR	KR

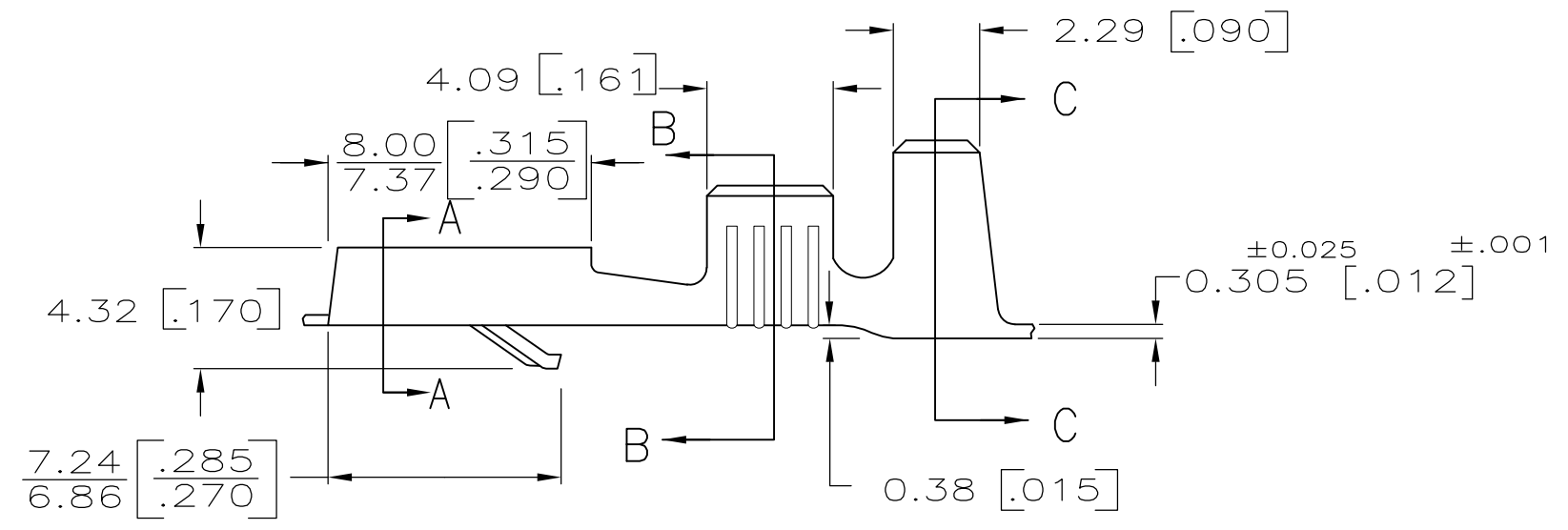


SECTION A-A



SECTION B-B

SECTION C-C



- 1 DIMENSIONS IN BRACKETS ARE IN INCHES.
- 2 CONTINUOUS STRIP ON REELS.
- 3 FOR FOREIGN PRODUCTION ONLY.
- 4 NO RIB IN LOCKING LANCE.
- 5 NO STRESS RELIEVING
- 6 REELED WITH INTERLEAVING PAPER
- 7 PRELIMINARY - NOT FOR PRODUCTION.

△/4	---	TIN	#4H BRASS	2.54 - 4.32	0.8 - 2.0 mm ²	±0.025	△ 42100-9
△/3	---	TIN	#4H BRASS				
△/3	---	---	#4H BRASS	[.100 - .170]	[18 - 14]	0.81 [.032 ±.001]	2-42100-1
△/3	-	TIN	#4H BRASS				1-42100-2
△/3	1-42238-1	---	#4H BRASS	[.100 - .170]	[18 - 14]	0.81 [.032 ±.001]	1-42100-1
△/4	---	SILVER	#4H BRASS				42100-3
△/4	---	TIN	#4H BRASS	[.100 - .170]	[18 - 14]	0.81 [.032 ±.001]	42100-2
△/4	---	---	#4H BRASS				42100-1
	LOOSE PIECE	FINISH	MATERIAL	INSULATION RANGE	WIRE SIZE	TAB THK	PART NO

METRIC

THIS DRAWING IS A CONTROLLED DOCUMENT.		DWN	JR RUTH	2/5/88	tyco Electronics	Tyco Electronics Corporation Harrisburg, Pa 17105-3608	
DIMENSIONS: mm [INCHES]		CHK	MS FEHER	2/5/88		RECEPTACLE, FASTON-FASTON, .250 SERIES	
TOLERANCES UNLESS OTHERWISE SPECIFIED:		APVD	C MEYERS	2/8/88	NAME		
0 PLC ± -		PRODUCT SPEC		APPLICATION SPEC			
1 PLC ± -		APPLICATION SPEC		SIZE			
2 PLC ± -		WEIGHT		CAGE CODE			
3 PLC ± 0.25 [.010]		CUSTOMER DRAWING		DRAWING NO			
4 PLC ± -		SCALE		SHEET			
ANGLES ± -		SHEET		OF			
FINISH		REV		AM1			